

Шестеренчатые расходомеры

Технические характеристики.

По вопросам продаж и поддержки обращайтесь:

Архангельск (8182)63-90-72
Астана +7(7172)727-132
Белгород (4722)40-23-64
Брянск (4832)59-03-52
Владивосток (423)249-28-31
Волгоград (844)278-03-48
Вологда (8172)26-41-59
Воронеж (473)204-51-73
Екатеринбург (343)384-55-89
Иваново (4932)77-34-06
Ижевск (3412)26-03-58
Казань (843)206-01-48

Калининград (4012)72-03-81
Калуга (4842)92-23-67
Кемерово (3842)65-04-62
Киров (8332)68-02-04
Краснодар (861)203-40-90
Красноярск (391)204-63-61
Курск (4712)77-13-04
Липецк (4742)52-20-81
Магнитогорск (3519)55-03-13
Москва (495)268-04-70
Мурманск (8152)59-64-93
Набережные Челны (8552)20-53-41

Нижний Новгород (831)429-08-12
Новокузнецк (3843)20-46-81
Новосибирск (383)227-86-73
Орел (4862)44-53-42
Оренбург (3532)37-68-04
Пенза (8412)22-31-16
Пермь (342)205-81-47
Ростов-на-Дону (863)308-18-15
Рязань (4912)46-61-64
Самара (846)206-03-16
Санкт-Петербург (812)309-46-40
Саратов (845)249-38-78

Смоленск (4812)29-41-54
Сочи (862)225-72-31
Ставрополь (8652)20-65-13
Тверь (4822)63-31-35
Томск (3822)98-41-53
Тула (4872)74-02-29
Тюмень (3452)66-21-18
Ульяновск (8422)24-23-59
Уфа (347)229-48-12
Челябинск (351)202-03-61
Череповец (8202)49-02-64
Ярославль (4852)69-52-93

Эл. почта: awf@nt-rt.ru

Сайт: <http://aflow.nt-rt.ru>

HF100

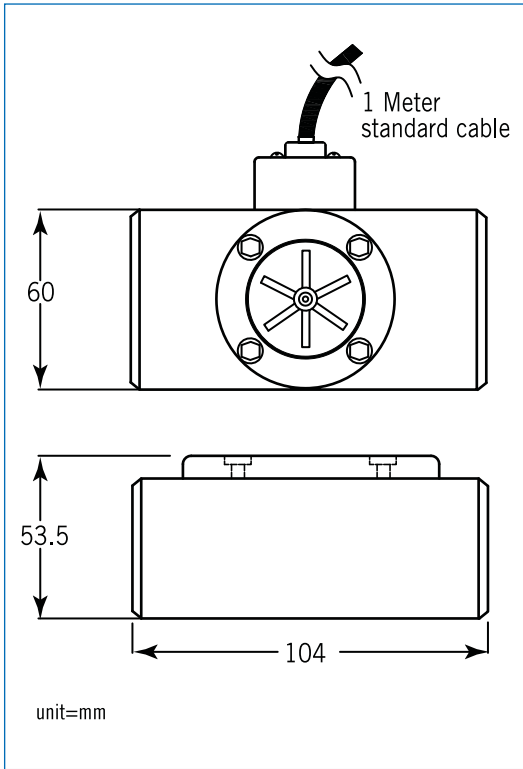
PADDLE WHEEL LIQUID FLOW METER

HF100 

Technical Data

Connecting size: 3/8", 1/2", 3/4", 1" NPT female standard**Power supply:** 3.8V to 30VDC**Output:** Sink(NPN)**Material:** Body-polypropylene, PTFE, PVDF available
Cover-acrylic, PP, PTFE, PVDF available
Rotor-PVDF
Shaft-ceramic
Bearings-ceramic**O-ring:** Viton**Max. temperature:** 70°C**Max. pressure:** Polypropylene and PTFE-10kg/cm²
PVDF-15kg/cm²**Accuracy:** ±2%F.S

Dimensions

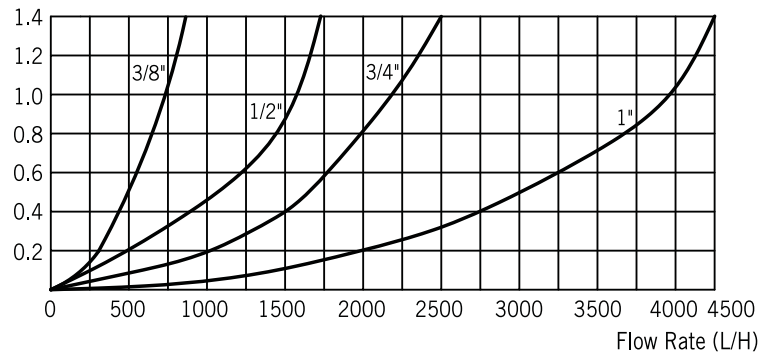


Range Table

Size	Flow Rates /LPH	Nominal Factors Per Liter
3/8"	20~800	398.32
1/2"	30~1400	205.32
3/4"	100~2100	150.32
1"	120~4200	61.02

Pressure Drop: 3/8"~1"

Pressure Drop



Ordering Information

HF100	-	1	-	A	-	4
		Process connection size			Body material	Cover Material
(1)		3/8"			A	(1) Acrylic(standard)
(2)		1/2"			B	(2) P.P
(3)		3/4"			C	(3) PTFE
(4)		1"				(4) PVDF

Flow

Level

Temperature

Pressure

Valve

PADDLE WHEEL LIQUID FLOW METER

HF200 

Technical Data

Connecting size: 1½”NPT female standard

Power supply: 3.8V to 30VDC

Output: Sink(NPN)

Material: Body– Polypropylene, PVDF available

Cover– PP, PVDF available

Rotor– PVDF

Shaft– HC276

Bearings– PVDF

O-ring: Viton

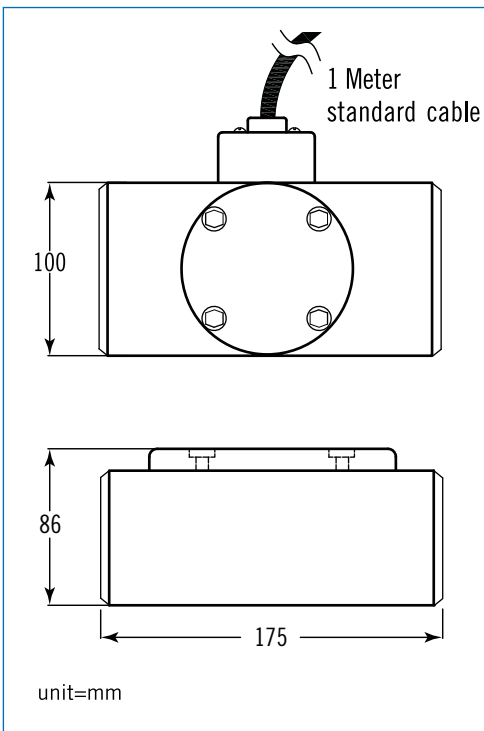
Max.temperature: 70°C

Max.pressure: Polypropylene-10kg/cm²
PVDF-15kg/cm²

Accuracy: ±2%F.S



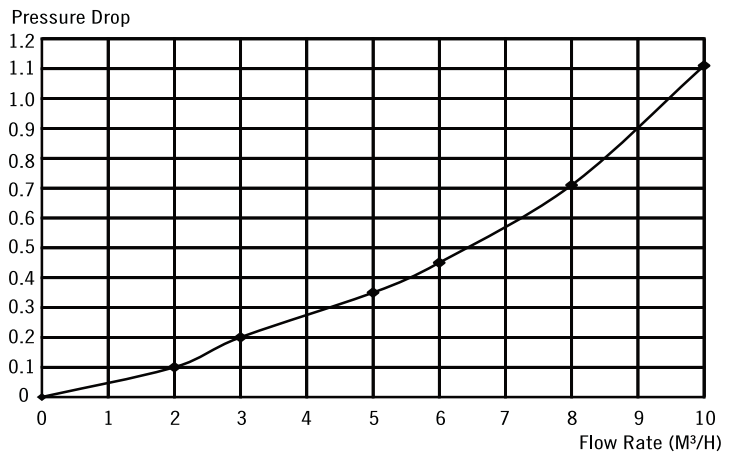
Dimensions



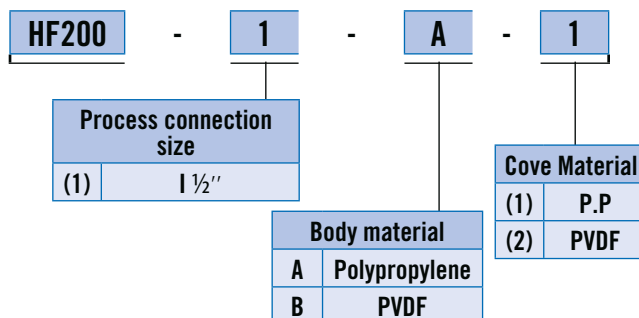
Range Table

Size	Flow Rates /M ³ H	Nominal Factors Per Liter
1½”	1~10	7.1

Pressure Drop: 1½”



Ordering Information



ROOTS TYPE POSITIVE DISPLACEMENT FLOW METER JA SERIES



JA (Standard type)



JAR (Zero Rest type)



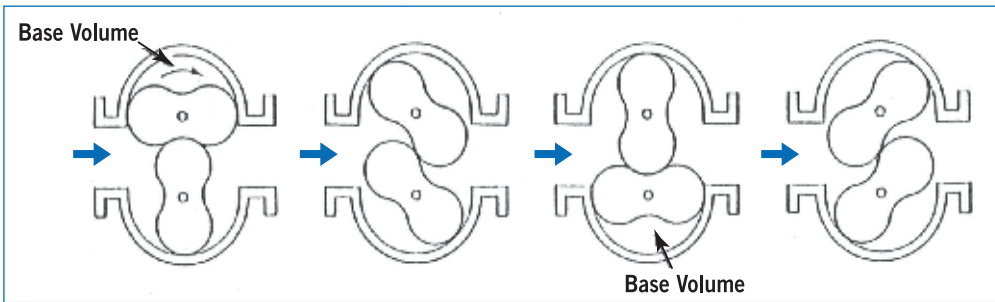
JAH (High Temperature type)



JAT (Pulse Transmitter type)

Principle

The flow meter was designed a special two rotary of Roots for measuring the volume of liquid fluid when the fluid running into the meter pushes two Roos. The driving roots drive a magnet coupling with a direct gear. Then the magnet coupling transmit to the totalizing counts with a gear too. It comes to measure the amount of the fluid which pass to the meter.



Technical Data

- **Petroleum and Petrochemical:** For process control
 - **Chemical:** Process control; shipment of products; intake of materials
 - **Pharmaceutical & Paint:** Mixing of various types; quality control; shipment of products
 - **Food & Fat:** Mixing of ingredients, tank-to tank transfer, shipment of products
 - **Steel making & Shipbuilding:** Measuring fuel consumption of burner, diesel engine fuel
- Maximum Working Pressure:** 10 kg/cm²
Maximum Working Temperature: 100°C (usual model); only JAH type up to 200°C
Material: Cast Iron, Carbon Steel, SS304, SS316 are available, please refer to the Material List
Totalizer Counter: 6 digital
Zero Rest Counter: 5 digital
Accuracy: ±0.5%
Signal Output (NPN): 100 cc/pulse; 1 liter/pulse; 10 liter/pulse available on request
 (If you select JAT pulse transmitter type, please refer to the following table for connection instructoin.)

Signal	Cable Wire	Max. Transfer Distance	Function / Color
Pulse NPN	3 Wires ø0.75mm x 3C	60M	+24/+12 VDC power input.../ Brown Out Signal...../ Black 0V (GND)...../ Blue



Constructoin Diaphragm

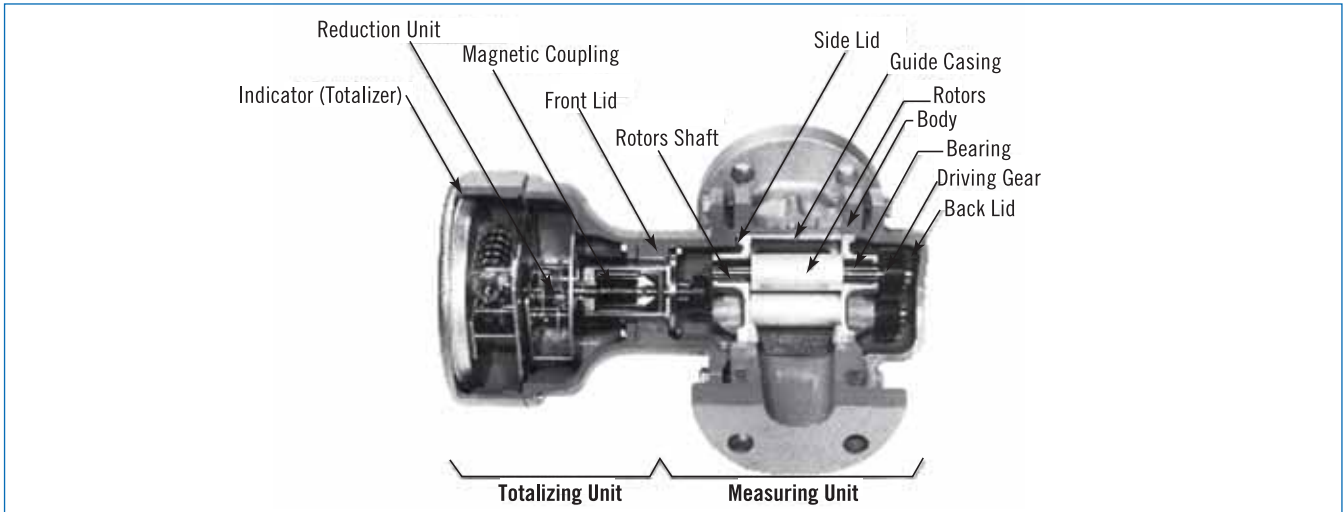
Flow

Level

Temperature

Pressure

Valve



Material List of Measuring Unit



Selection 1: Body Material

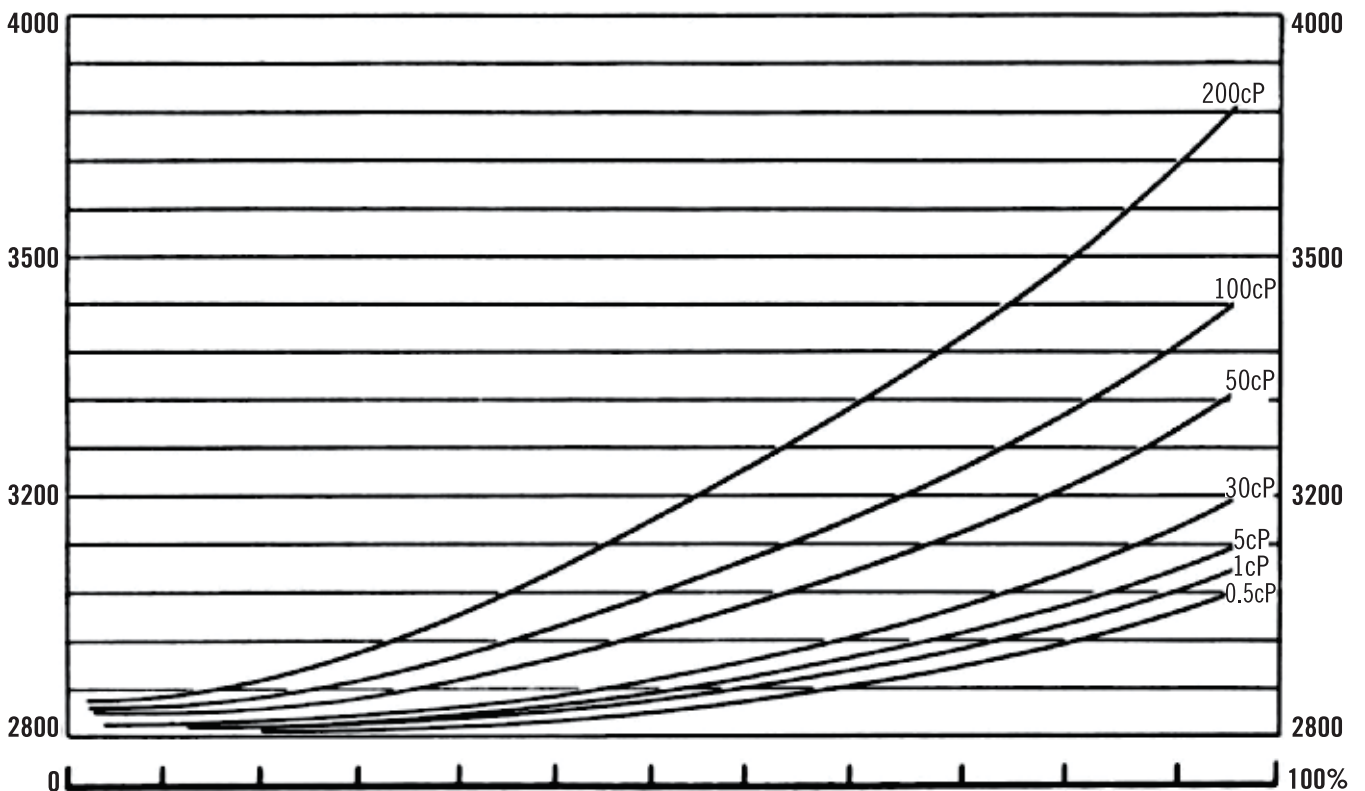
Option Item	Body Material
1	Cast Iron
2	Carbon Steel
3	SS304
4	SS316



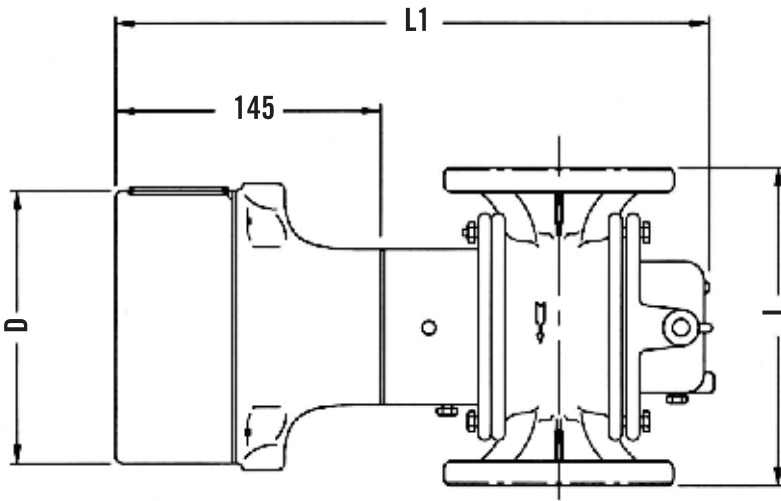
Selection 2: Inner Material

Option Item	Inner Housing	Roots	Roots Shaft	Driving Gear	Other
A	Bronze	Aluminum	S.S	S.S	SS304
B	Bronze	Bronze	S.S	S.S	SS304
C	Bronze	SS304	SS304	SS304	SS304
D	SS304	SS304	SS304	SS304	SS304
E	SS316	SS316	SS316	SS316	SS316

Pressure Loss Curves



Dimensions



Standard Type
(For JA / JAR Series)

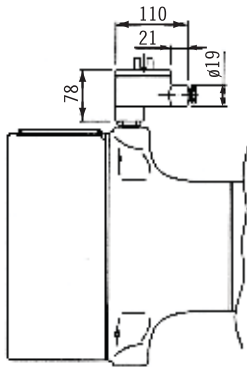
Dimensions for Standard Flow Range-mm

Size	D	L	L1 (Note. 1)
1"JA-25A	180	200	325
1½"JA-40A	180	200	325
2"JA-50A	180	250	375
3"JA-80A	180	325	430

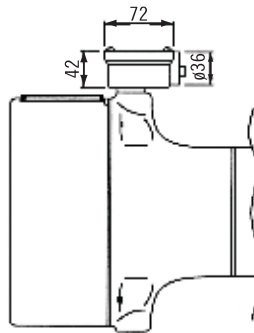
Dimensions for High Flow Range-mm

Size	D	L	L1 (Note. 1)
1½"JA-40A	180	250	375
2"JA-50A	180	325	430

Note. 1
Length "L1" has to add 85mm for JAH (high temperature) type.



Explosion Proof Type
(For JAT Series)

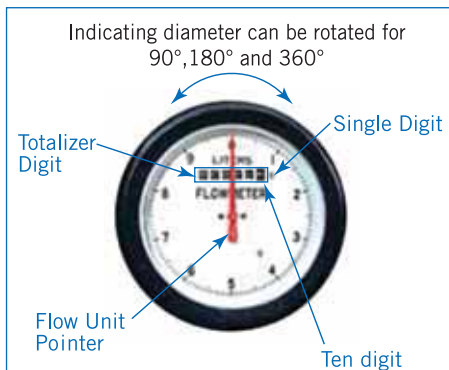


Weather Proof Type
(For JAT Series)



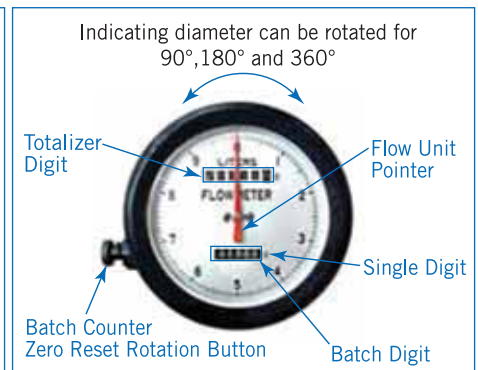
High Temperature type
(For JAH Series)

Function



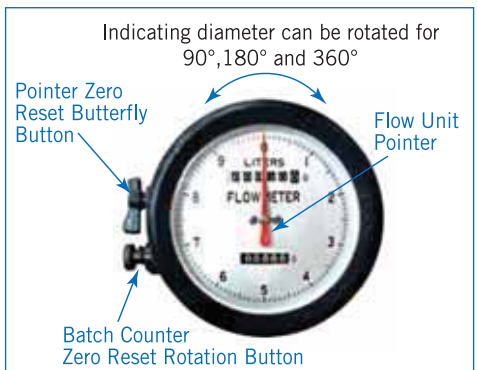
Standard Type
Totalizer Digit & Flow Unit Pointer

- For the single-digit indication:
When the flow meter starts using, the flow unit pointer will be running clockwise from "0", if the flow unit pointer has pointed to 3, it means the flow rate is 3 Liter.
- For the ten-digit indication:
If the flow unit pointer has passed the scale "0,1,2.. 9 to 0" by running clockwise in a circle, the ten-digit will be shown 1, and it means the flow rate is 10 Liter.
- For the rest indication:
the rest may be deduced by analogy.



Zero Reset Type
With Batch Counter

- Totalizer digit cannot be reset to zero.
- Batch digit can be reset to zero.



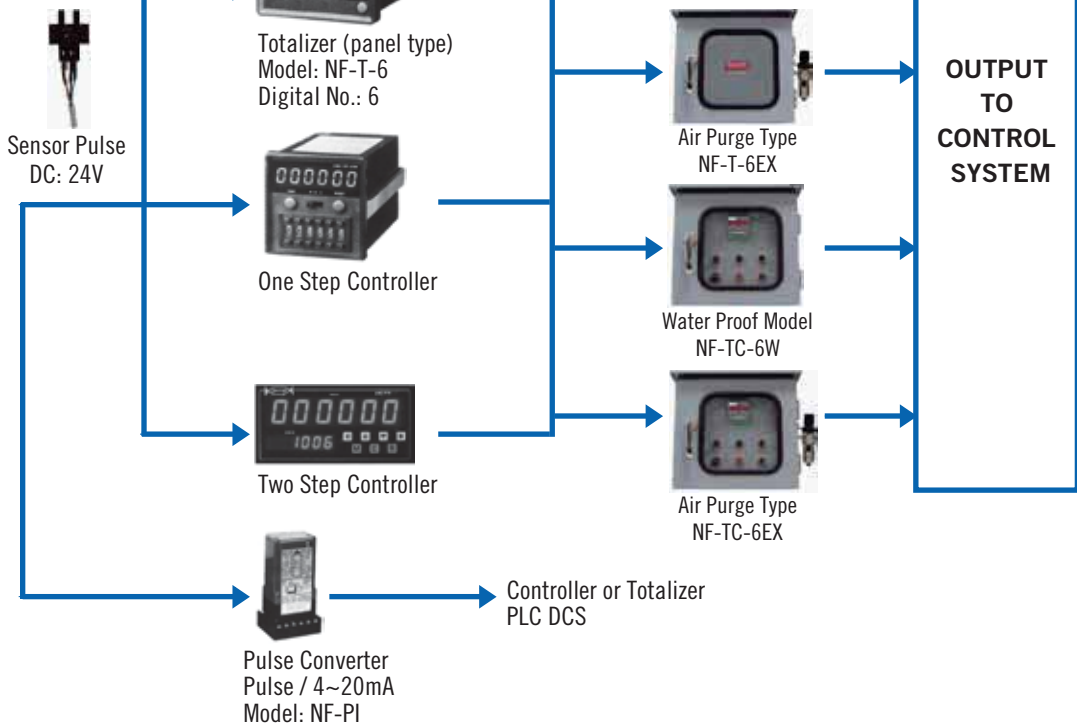
Zero Reset Type
With Batch Counter & Pointer

- Pointer zero reset & Batch counter zero reset (only for zero reset JAR type)
When the pointer pass or stays on the scale of 1, the first number of batch will be shown 1, and it means the flow rate is 1 Liter. But, if the flow rate < 1 Liter, the first number of batch digit remains at 0 location. The maximum flow rate will be 99999 Liter < 100 m³.

Standard Control System Mode



With Pulse Transmitter



По вопросам продаж и поддержки обращайтесь:

Архангельск (8182)63-90-72
Астана +7(7172)727-132
Белгород (4722)40-23-64
Брянск (4832)59-03-52
Владивосток (423)249-28-31
Волгоград (844)278-03-48
Вологда (8172)26-41-59
Воронеж (473)204-51-73
Екатеринбург (343)384-55-89
Иваново (4932)77-34-06
Ижевск (3412)26-03-58
Казань (843)206-01-48

Калининград (4012)72-03-81
Калуга (4842)92-23-67
Кемерово (3842)65-04-62
Киров (8332)68-02-04
Краснодар (861)203-40-90
Красноярск (391)204-63-61
Курск (4712)77-13-04
Липецк (4742)52-20-81
Магнитогорск (3519)55-03-13
Москва (495)268-04-70
Мурманск (8152)59-64-93
Набережные Челны (8552)20-53-41

Нижний Новгород (831)429-08-12
Новокузнецк (3843)20-46-81
Новосибирск (383)227-86-73
Орел (4862)44-53-42
Оренбург (3532)37-68-04
Пенза (8412)22-31-16
Пермь (342)205-81-47
Ростов-на-Дону (863)308-18-15
Рязань (4912)46-61-64
Самара (846)206-03-16
Санкт-Петербург (812)309-46-40
Саратов (845)249-38-78

Смоленск (4812)29-41-54
Сочи (862)225-72-31
Ставрополь (8652)20-65-13
Тверь (4822)63-31-35
Томск (3822)98-41-53
Тула (4872)74-02-29
Тюмень (3452)66-21-18
Ульяновск (8422)24-23-59
Уфа (347)229-48-12
Челябинск (351)202-03-61
Череповец (8202)49-02-64
Ярославль (4852)69-52-93

Эл. почта: awf@nt-rt.ru

Сайт: <http://aflow.nt-rt.ru>