

Обратные клапаны серии VCB

Техническое описание.

По вопросам продаж и поддержки обращайтесь:

Архангельск (8182)63-90-72
Астана +7(7172)727-132
Белгород (4722)40-23-64
Брянск (4832)59-03-52
Владивосток (423)249-28-31
Волгоград (844)278-03-48
Вологда (8172)26-41-59
Воронеж (473)204-51-73
Екатеринбург (343)384-55-89
Иваново (4932)77-34-06
Ижевск (3412)26-03-58
Казань (843)206-01-48

Калининград (4012)72-03-81
Калуга (4842)92-23-67
Кемерово (3842)65-04-62
Киров (8332)68-02-04
Краснодар (861)203-40-90
Красноярск (391)204-63-61
Курск (4712)77-13-04
Липецк (4742)52-20-81
Магнитогорск (3519)55-03-13
Москва (495)268-04-70
Мурманск (8152)59-64-93
Набережные Челны (8552)20-53-41

Нижний Новгород (831)429-08-12
Новокузнецк (3843)20-46-81
Новосибирск (383)227-86-73
Орел (4862)44-53-42
Оренбург (3532)37-68-04
Пенза (8412)22-31-16
Пермь (342)205-81-47
Ростов-на-Дону (863)308-18-15
Рязань (4912)46-61-64
Самара (846)206-03-16
Санкт-Петербург (812)309-46-40
Саратов (845)249-38-78

Смоленск (4812)29-41-54
Сочи (862)225-72-31
Ставрополь (8652)20-65-13
Тверь (4822)63-31-35
Томск (3822)98-41-53
Тула (4872)74-02-29
Тюмень (3452)66-21-18
Ульяновск (8422)24-23-59
Уфа (347)229-48-12
Челябинск (351)202-03-61
Череповец (8202)49-02-64
Ярославль (4852)69-52-93

Эл. почта: awf@nt-rt.ru

Сайт: <http://aflow.nt-rt.ru>

INTEGRAL VCB VALVES

I. FEATURES

- Pressure rating up to 413 bar (6000 psig) 20°C (70 °F)
- Temperature rating up to 190°C (375°F) with Viton seal standard
- Suitable for gas and liquids
- Blow-out resistant and stop reversing flow design
- SS316 body material as standard
- 100% factory tested

II. MATERIAL OF CONSTRUCTION

| Item | Component | Valve Body Materials |
|------|----------------|-------------------------------------|
| | | Material Grade / ASTM Specification |
| 1 | Inlet Body | SS / ASTM479 |
| 2 | Poppet | Viton - bonded SS / A479 |
| 3 | Poppet Stopper | SS / ASTM479 |
| 4 | Spring | SS302 / ASTM 313 |
| 5 | O-Ring | Viton Standard |
| 6 | Back Up Ring | PTFE |
| 7 | Indicator Ring | Stainless Stell |
| 8 | Outlet Body | SS / ASTM479 |

Seal Materials

| Material | Temperature rating, °C (°F) |
|--------------------|---------------------------------|
| NBR | -10°C to 250°C (-23°F to 121°F) |
| Ethylene Propylene | -50°C to 300°C (-16°F to 149°F) |

Cracking Pressure and Reseal Pressure at 20°C (70°F)

| Nominal Spring Range | Cracking Pressure Range | Min. Reseal Pressure psig |
|----------------------|-------------------------|---------------------------|
| 0.02 bar (½ psig) | 0 to 0.2 bar | 0.41 bar |
| 0.068 bar (1 psig) | 0 to 0.27 bar | 0.34 bar |
| 0.34 bar (5 psig) | 0.20 to 0.62 bar | 0.068 bar |
| 0.68 bar (10 psig) | 0.48 to 1.0 bar | 0.2 bar |
| 1.7 bar (25 psig) | 1.3 to 2.0 bar | 1.1 bar |

III. TECHNICAL DATA

| Material | SS316 | | |
|-----------------------------|---------------------------------|------|---------|
| Series | VCB1 | VCB2 | VCB3 |
| Working Pressure | 414 bar | | 345 bar |
| Cv | 0.67 | 1.8 | 4.7 |
| Operating Temperature Range | Viton: -23 °C to 190 °C | | |
| Nominal Cracking Pressure | 0.02, 0.06, 0.34, 0.68, 1.7 bar | | |

Poppet

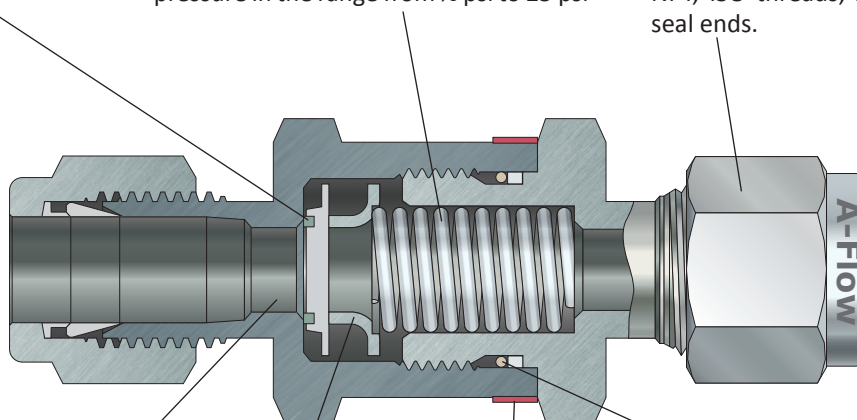
- provides leak tight shut-off with elastomer seal

Springs

- are available for the cracking pressure in the range from ½ psi to 25 psi

Variety of End Connection

- include Hy-Lok tube fittings, male and female NPT, ISO threads, ZCO ends and metal gasket seal ends.



Orifice

- is max. flow design for min. pressure drop.
- include flow dia from 4.8mm to 15.2mm

Poppet Stopper

- provides minimizes spring stress.

Indicator Ring

- is easy identify the cracking pressure.
- available in replacement

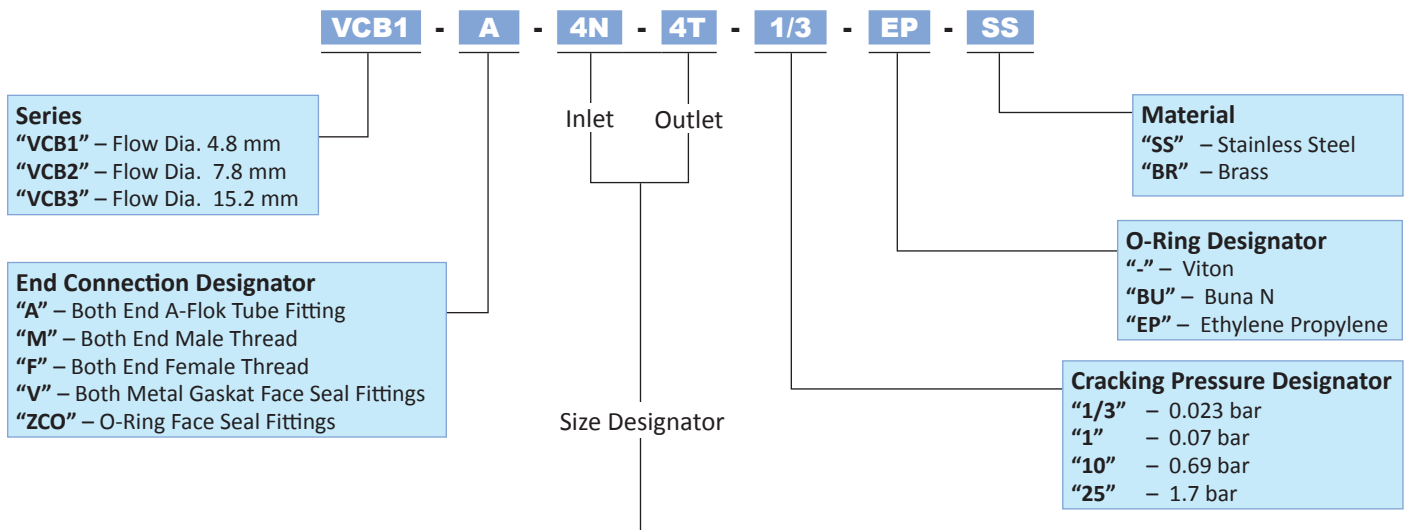
O-ring and Back Up Rings

- are halves for ensures closure to the rated pressure

IV. TABLE OF DIMENSIONS

| Part number | Flow Dia | Cv | End Connection | | Pressure Rating, bar | | | Dimensions | | | | |
|-------------|----------|------|----------------|------------------|----------------------|-----|-----|------------|------|------|------|------|
| | | | Inlet | Outlet | SS316 | CS | Mo | L | I | H | H1 | |
| VCB1 | -A-2T | 4.8 | 0.67 | 1/8" A-Flok | | 414 | - | 345 | 58.3 | 27.5 | 11.1 | 17.5 |
| | -A-4T | 4.8 | 0.67 | 1/4" A-Flok | | 414 | - | 345 | 61.7 | 26.4 | 14.2 | 17.5 |
| | -A-6M | 4.8 | 0.67 | 6 mm NPT Male | | 414 | - | 345 | 61.7 | 26.4 | 14.0 | 17.5 |
| | -F-4N | 4.8 | 0.67 | 1/4" NPT Female | | 414 | - | 345 | 54.1 | 54.1 | - | - |
| | -F-4G | 4.8 | 0.67 | 1/4" BSPP Female | | 414 | - | 345 | 54.3 | 54.3 | - | 18.5 |
| | -M-2N | 4.8 | 0.67 | 1/8" NPT Male | | 414 | - | 345 | 45.5 | 26.4 | - | 17.5 |
| | -M-4N | 4.8 | 0.67 | 1/4" NPT Male | | 414 | - | 345 | 55.1 | 26.4 | - | 17.5 |
| VCB2 | -A-6T | 7.8 | 1.8 | 3/8" A-Flok | | 414 | | 345 | 69.9 | 31.2 | 17.5 | 25.4 |
| | -A-8T | 7.8 | 1.8 | 1/2" A-Flok | | 414 | | 345 | 75.2 | 31.2 | 22.2 | 25.4 |
| | -A-8M | 7.8 | 1.8 | 8 mm A-Flok | | 414 | | 345 | 68.6 | 31.2 | 16.0 | 25.4 |
| | -A-10M | 7.8 | 1.8 | 10 mm A-Flok | | 414 | | 345 | 71.1 | 31.2 | 19.0 | 25.4 |
| | -A-12M | 7.8 | 1.8 | 12 mm A-Flok | | 414 | | 345 | 75.2 | 31.2 | 22.0 | 25.4 |
| | -A-14M | 7.8 | 1.8 | 14 mm A-Flok | | 414 | | 345 | 79.5 | 36 | 24.8 | 25.3 |
| | -A-16M | 7.8 | 1.8 | 16 mm A-Flok | | 414 | | 345 | 80 | 36 | 25 | 25.3 |
| | -A-18M | 7.8 | 1.8 | 18 mm A-Flok | | 414 | | 345 | 87 | 42.3 | 30 | 40.9 |
| | -F-6N | 7.8 | 1.8 | 3/8" NPT Female | | 345 | 365 | 345 | 64.8 | 64.8 | - | - |
| | -F-8N | 7.8 | 1.8 | 1/2" NPT Female | | 316 | 337 | 316 | 77.0 | 77.0 | - | 26.9 |
| | -F-8G | 7.8 | 1.8 | 1/2" BSSP Female | | 316 | 337 | 316 | 77.0 | 77.0 | - | 25.0 |
| | -M-6N | 7.8 | 1.8 | 3/8" NPT Male | | 413 | | 345 | 59.9 | 31.2 | - | 25.4 |
| | -M-8N | 7.8 | 1.8 | 1/2" NPT Male | | 413 | | 345 | 69.3 | 31.2 | - | 25.4 |
| VCB3 | -A-12T | 15.0 | 4.7 | 3/4" A-Flok | | 345 | | 323 | 89.4 | 45.2 | 28.6 | 41.3 |
| | -A-16T | 15.0 | 4.7 | 1" A-Flok | | 345 | | 323 | 98.6 | 45.5 | 38.1 | 41.3 |
| | -A-18M | 15.0 | 4.7 | 18 mm A-Flok | | 345 | | 323 | 87 | 42.3 | 30 | 40.9 |
| | -A-22M | 15.0 | 4.7 | 22 mm A-Flok | | 345 | | 323 | 88.4 | - | 32.0 | 41.3 |
| | -A-25M | 15.0 | 4.7 | 25 mm A-Flok | | 345 | | 323 | 98.6 | - | 40.0 | 41.3 |
| | -F-12N | 15.0 | 4.7 | 3/4" NPT Female | | 296 | | - | 82.0 | 82.0 | - | 41.3 |
| | -F-16N | 15.0 | 4.7 | 1" NPT Female | | 282 | | - | 97.3 | 97.3 | - | 41.3 |
| | -M-12N | 15.0 | 4.7 | 3/4" NPT Male | | 345 | 323 | 345 | 83.6 | 45.5 | - | 41.3 |
| | -M-16N | 15.0 | 4.7 | 1" NPT Male | | 345 | 323 | 345 | 93.2 | 45.7 | - | 41.3 |

V. ORDERING INFORMATION



| Pipe Thread NPT (ISO/BSP) | | | | Tube | | | | | | | | | | | |
|---------------------------|------|------|------|-----------------|------------|-----|-----|-----|-----|-----|-----|-----|-----|-----|--|
| Thread | 1/8" | 1/4" | 3/8" | Metric Tube | O.D. (mm) | 3 | 6 | 8 | 10 | 12 | 14 | 18 | 20 | 25 | |
| NPT | 4N | 6N | 8N | | Designator | 3M | 6M | 8M | 10M | 12M | 14M | 18M | 20M | 25M | |
| RT (BSPT) | 4R | 6R | 8R | Fractional Tube | O.D. (in) | 1/8 | 1/4 | 3/8 | 1/2 | 3/4 | 1 | | | | |
| G (BSPP) | 4GR | 6G | 8G | | Designator | 2T | 4T | 6T | 8T | 12T | 16T | | | | |

По вопросам продаж и поддержки обращайтесь:

Архангельск (8182)63-90-72
Астана +7(7172)727-132
Белгород (4722)40-23-64
Брянск (4832)59-03-52
Владивосток (423)249-28-31
Волгоград (844)278-03-48
Вологда (8172)26-41-59
Воронеж (473)204-51-73
Екатеринбург (343)384-55-89
Иваново (4932)77-34-06
Ижевск (3412)26-03-58
Казань (843)206-01-48

Калининград (4012)72-03-81
Калуга (4842)92-23-67
Кемерово (3842)65-04-62
Киров (8332)68-02-04
Краснодар (861)203-40-90
Красноярск (391)204-63-61
Курск (4712)77-13-04
Липецк (4742)52-20-81
Магнитогорск (3519)55-03-13
Москва (495)268-04-70
Мурманск (8152)59-64-93
Набережные Челны (8552)20-53-41

Нижний Новгород (831)429-08-12
Новокузнецк (3843)20-46-81
Новосибирск (383)227-86-73
Орел (4862)44-53-42
Оренбург (3532)37-68-04
Пермь (342)205-81-47
Ростов-на-Дону (863)308-18-15
Рязань (4912)46-61-64
Самара (846)206-03-16
Санкт-Петербург (812)309-46-40
Саратов (845)249-38-78

Смоленск (4812)29-41-54
Сочи (862)225-72-31
Ставрополь (8652)20-65-13
Тверь (4822)63-31-35
Томск (3822)98-41-53
Тула (4872)74-02-29
Тюмень (3452)66-21-18
Ульяновск (8422)24-23-59
Уфа (347)229-48-12
Челябинск (351)202-03-61
Череповец (8202)49-02-64
Ярославль (4852)69-52-93

Эл. почта: awf@nt-rt.ru

Сайт: <http://aflow.nt-rt.ru>