

# Игольчатые вентили серии VNA

## Техническое описание.

**По вопросам продаж и поддержки обращайтесь:**

Архангельск (8182)63-90-72  
Астана +7(7172)727-132  
Белгород (4722)40-23-64  
Брянск (4832)59-03-52  
Владивосток (423)249-28-31  
Волгоград (844)278-03-48  
Вологда (8172)26-41-59  
Воронеж (473)204-51-73  
Екатеринбург (343)384-55-89  
Иваново (4932)77-34-06  
Ижевск (3412)26-03-58  
Казань (843)206-01-48

Калининград (4012)72-03-81  
Калуга (4842)92-23-67  
Кемерово (3842)65-04-62  
Киров (8332)68-02-04  
Краснодар (861)203-40-90  
Красноярск (391)204-63-61  
Курск (4712)77-13-04  
Липецк (4742)52-20-81  
Магнитогорск (3519)55-03-13  
Москва (495)268-04-70  
Мурманск (8152)59-64-93  
Набережные Челны (8552)20-53-41

Нижний Новгород (831)429-08-12  
Новокузнецк (3843)20-46-81  
Новосибирск (383)227-86-73  
Орел (4862)44-53-42  
Оренбург (3532)37-68-04  
Пенза (8412)22-31-16  
Пермь (342)205-81-47  
Ростов-на-Дону (863)308-18-15  
Рязань (4912)46-61-64  
Самара (846)206-03-16  
Санкт-Петербург (812)309-46-40  
Саратов (845)249-38-78

Смоленск (4812)29-41-54  
Сочи (862)225-72-31  
Ставрополь (8652)20-65-13  
Тверь (4822)63-31-35  
Томск (3822)98-41-53  
Тула (4872)74-02-29  
Тюмень (3452)66-21-18  
Ульяновск (8422)24-23-59  
Уфа (347)229-48-12  
Челябинск (351)202-03-61  
Череповец (8202)49-02-64  
Ярославль (4852)69-52-93

Эл. почта: [awf@nt-rt.ru](mailto:awf@nt-rt.ru)

Сайт: <http://aflow.nt-rt.ru>

# INTEGRAL BONNET NEEDLE VALVES. VNA SERIES

## I. FEATURES

- Compact design
- Low operating torques
- Panel mounting
- Variety of stem tips
- Variety of End Connections
- Straight and Angle flow patterns
- Each valve is tested at the factory

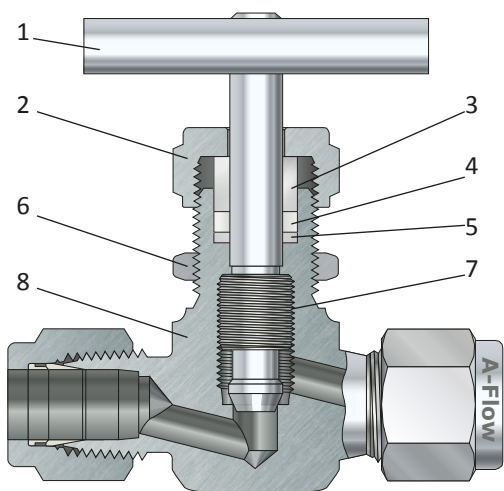
## II. SPECIFICATIONS

Pressure rating	345 bar (5000psig) @ 38°C (100°F)
Temperature rating	-54 to 232°C (-65 to 450°F) with PTFE packing and 315°C (600°F) with PEEK packing
Body material	316 stainless steel, alloy 400 and brass
Orifice	2.0 mm to 9.5 mm (0.08" to 0.375")

## III. TESTING

Each Valve is tested with nitrogen at 69 bar (1000 psig) to maximum allowable leak rate of 0.1 SCCM.

## IV. MATERIALS OF CONSTRUCTION



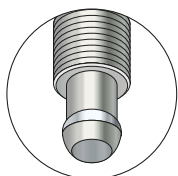
No.	Component	Material Grade / ASTM Specification		
		Stainless Steel	Brass	Alloy 400
1	Bar Handle	Stainless Steel		
	Knob Handle	Phenolic with brass insert		
	Set Screw	Stainless Steel		
2	Packing Nut	SS316 / A276	BRASS 360 / B16	Alloy R-405 / B164
3	Packing Gland	SS316 / A276	BRASS 360 / B16	Alloy R-405 / B164
*4	Packing	PTFE (Standard) , PEEK (Optional)		
5	Packing Support	SS316 / A276	BRASS 360 / B16	Alloy R-405 / B164
6	Panel Nut	SS316 / A276	BRASS 360 / B16	Alloy R-405 / B164
*7	Vee Stem	SS316 / A276	SS316 / A276	Alloy R-405 / B164
	Regulating Stem			
	Soft Seat Stem with PCTFE			
*8	Body	SS 316 / A182	BRASS 377 / B283	Alloy R-400 / B564

•Wetted components are marked "\*"

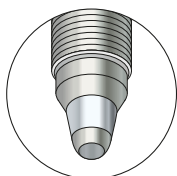
## HANDLE

- Stainless steel bar is standard on all SS and alloy 400 body valves.
- Black phenolic knob is standard for brass body and soft seat stem valves.
- Black aluminum bar handles are available as an option.

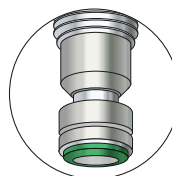
## AVAILABLE STEM TYPE



Vee Stem(Standard)

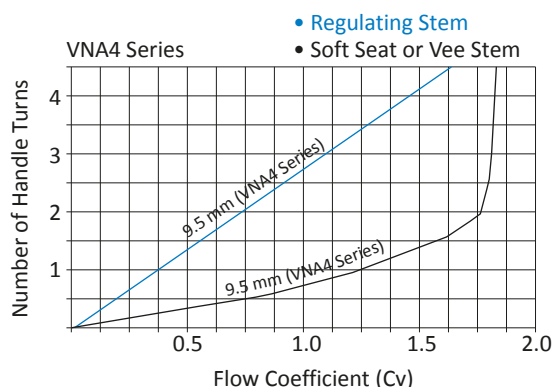
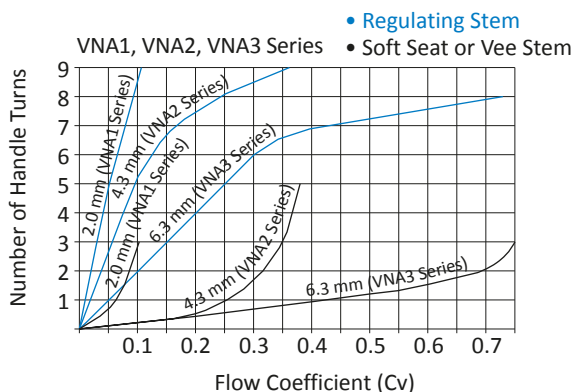


Regulating Stem

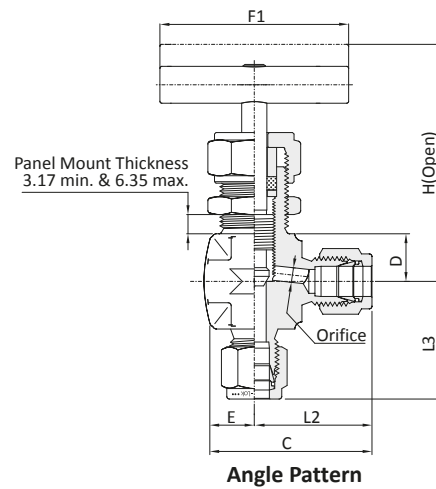
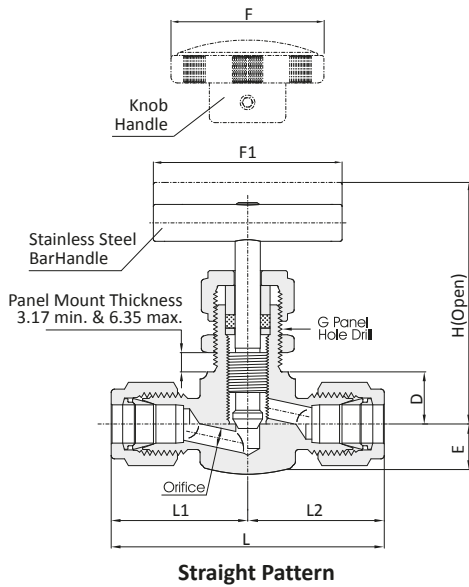


Soft Seat Stem

## FLOW COEFFICIENT (CV) VS NUMBER OF HANDLE TURNS



V. TABLE OF DIMENSIONS



Order Number		Orifice (mm)	Cv	End Connections		Dimensions (mm)															
Series	Part No.			Inlet	Outlet	L	A	B	B1	C	D	E	F	I	H						
VNA1	F	2N	2.0	0.09	1/8" Female NPT		47.8	23.9	23.9	23.9	31.8	11.2	7.9	32.0	11.9	55.0					
	M	2N			1/8" Male NPT		38.1	19.1	19.1	19.1	27.0										
	MA	2N-2			1/8" Male NPT	1/8" A-Flok	43.8										24.7	24.7	32.6		
	A	2T			1/8" A-Flok		49.4														
	A	3M			3mm A-Flok																
VNA2	F	2N	4.4	0.37	1/8" Female NPT		41.2	20.6	20.6	20.6	30.3	11.2	9.7	45.0	13.5	51.5					
	M	2N			1/8" Male NPT		49.8	24.9	24.9	34.6											
	M	4N			1/4" Male NPT						57.4						28.7	28.7	38.4		
	MA	4N-4T			1/4" Male NPT	1/4" A-Flok	53.6														
	A	6M			6mm A-Flok																
	A	4T			1/4" A-Flok																
	A	8M			8mm A-Flok		59.4	29.7	29.7	29.7	39.4										
VNA3	F	4N	6.3	0.73	1/4" Female NPT		53.8	26.9	26.9	26.9	39.6	12.7									
	F	4R			1/4" ISO Female		55.6	28.7									28.7	28.7	41.4		
	MF	4N			1/4" Male NPT	1/4" Female NPT			61.5	32.8	32.8									45.5	
	MA	4N-6			1/4" Male NPT	3/8" A-Flok															
	M	6N			3/8" Male NPT		57.4														
	MA	6N-6T			3/8" Male NPT	3/8" A-Flok	61.5														
	MA	6N-8T			3/8" Male NPT	1/2" A-Flok	64.3				48.3	14.2									
	A	10M			10mm A-Flok		66.0	33.0	33.0	33.0	45.7	12.7									
	A	6T			3/8" A-Flok		65.6	32.8	32.8	32.8	45.5										
	A	12M			12 mm A-Flok		71.2	35.6	35.6	35.6	48.3		14.0								
A	8T	1/2" A-Flok																			
VNA4	F	6N	9.5	1.80	3/8" Female NPT		76.2	38.1	38.1	38.1	57.2	19.1	19.1	76.0	26.2	99.5					
	F	6R			3/8" ISO Female																
	F	8N			1/2" Female NPT																
	F	8R			1/2" ISO Female																
	M	8N			1/2" Male NPT																
	MF	8N			1/2" Male NPT	1/2" Female NPT															
	A	8T			1/2" A-Flok												96.6	48.3	48.3	48.3	67.4
	A	12T			3/4" A-Flok																

\* Dimensions shown with A-Flok nuts measure in the finger - tight, where applicable. All dimensions are for reference only, subject to change.

## VI. TECHNICAL DATA

### TEMPERATURE AND PRESSURE RATING

Body Material	Stem	Pressure Rating	Pressure Rating @ -54°C to 38°C (-65°F to 100°F)
SS316	Vee & Regulating	-54°C to 232°C (-65°F to 450°F)	345 bar (5000 psig)
	Soft Seat	-54°C to 93°C (-65°F to 200°F)	
Brass	Vee & Regulating	-54°C ~204°C (-65°F to 400°F)	207 bar (3000 psig)
	Soft Seat	-54°C to 93°C (-65°F to 200°F)	
Alloy 400 (Monel)	Vee & Regulating	-54°C to 232°C (-65°F to 450°F)	207 bar (3000 psig)
	Soft Seat	-54°C to 93°C (-65°F to 200°F)	

\* The above ratings are for a standard valve with PTFE packing. \* Extreme temperature fluctuations may require packing adjustment.

### TEMPERATURE VS WORKING PRESSURE

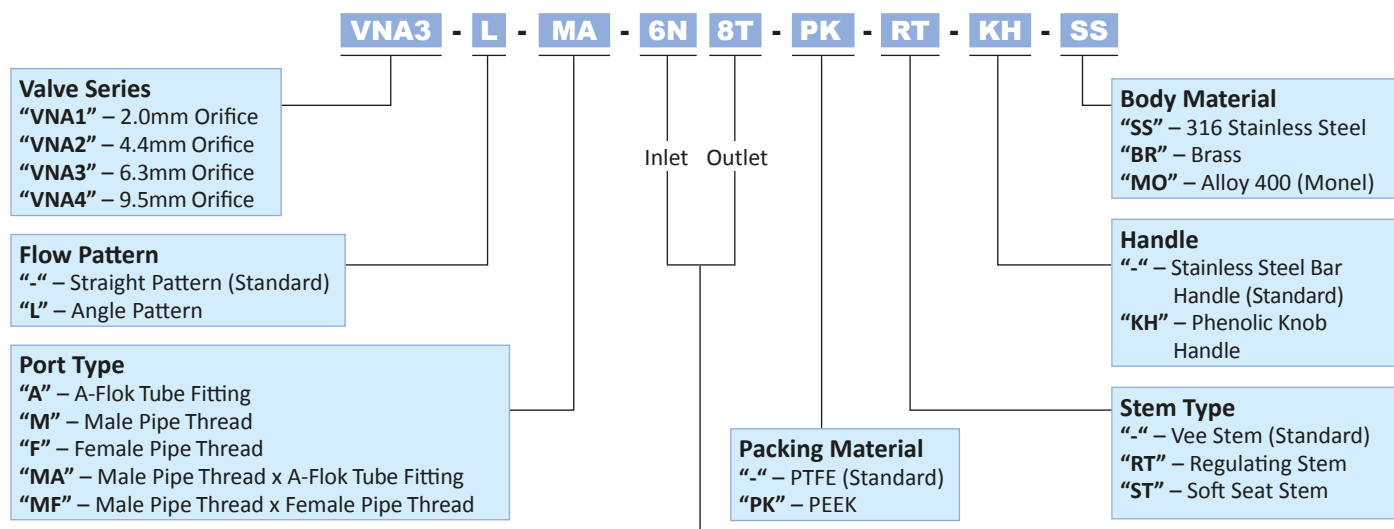
Temperature Rating		Pressure psig(bar) @ Temperature Rating		
		SS316	Brass	Alloy 400 (Monel)
-54°C (-65°F)	38°C (100°F)	345 bar (5000 psig)	207 bar (3000 psig)	207 bar (3000 psig)
	93°C (200°F)	296 bar (4290 psig)	179 bar (2600 psig)	182 bar (2640 psig)
	148°C (300°F)	267 bar (3870 psig)	152 bar (2210 psig)	170 bar (2470 psig)
	176°C (350°F)	256 bar (3710 psig)	101 bar (1470 psig)	167 bar (2430 psig)
	204°C (400°F)	245 bar (3560 psig)	51 bar (740 psig)	165 bar (2390 psig)
	232°C (450°F)	236 bar (3430 psig)	-	163 bar (2380 psig)

### PACKING AND BODY MATERIALS VS TEMPERATURE AND PRESSURE RATING

Packing Material	Body Material	Temperature Rating	Pressure Rating @ Max. Temperature
PTFE (Standard)	SS316	-54°C to 232°C (-65°F to 450°F)	236 bar (3430 psig)
PEEK (Optional)	SS316	-54°C to 315°C (-65°F to 600°F)	216 bar (3130 psig)
	Alloy 400	-54°C to 260°C (-65°F to 500°F)	163 bar (2370 psig)

\* PEEK is not recommended for service with aromatic heat transfer or concentrated sulfuric and nitric acids. Other limitations may apply.

## VII. ORDERING INFORMATION



Port Size					
Pipe Thread Designation					
Size (inch)	1/8	1/4	3/8	1/2	3/4
Screwed BSPT	2R	4R	6R	8R	12R
Screwed NPT	2N	4N	6N	8N	12N

Tube O.D Designation					
Tube O.D (inch)	1/8	1/4	3/8	1/2	3/4
Designation	2	4	6	8	12
Tube O.D (mm)	3	6	8	10	12
Designation	3M	6M	8M	10M	12M

**По вопросам продаж и поддержки обращайтесь:**

Архангельск (8182)63-90-72  
Астана +7(7172)727-132  
Белгород (4722)40-23-64  
Брянск (4832)59-03-52  
Владивосток (423)249-28-31  
Волгоград (844)278-03-48  
Вологда (8172)26-41-59  
Воронеж (473)204-51-73  
Екатеринбург (343)384-55-89  
Иваново (4932)77-34-06  
Ижевск (3412)26-03-58  
Казань (843)206-01-48

Калининград (4012)72-03-81  
Калуга (4842)92-23-67  
Кемерово (3842)65-04-62  
Киров (8332)68-02-04  
Краснодар (861)203-40-90  
Красноярск (391)204-63-61  
Курск (4712)77-13-04  
Липецк (4742)52-20-81  
Магнитогорск (3519)55-03-13  
Москва (495)268-04-70  
Мурманск (8152)59-64-93  
Набережные Челны (8552)20-53-41

Нижний Новгород (831)429-08-12  
Новокузнецк (3843)20-46-81  
Новосибирск (383)227-86-73  
Орел (4862)44-53-42  
Оренбург (3532)37-68-04  
Пермь (342)205-81-47  
Ростов-на-Дону (863)308-18-15  
Рязань (4912)46-61-64  
Самара (846)206-03-16  
Санкт-Петербург (812)309-46-40  
Саратов (845)249-38-78

Смоленск (4812)29-41-54  
Сочи (862)225-72-31  
Ставрополь (8652)20-65-13  
Тверь (4822)63-31-35  
Томск (3822)98-41-53  
Тула (4872)74-02-29  
Тюмень (3452)66-21-18  
Ульяновск (8422)24-23-59  
Уфа (347)229-48-12  
Челябинск (351)202-03-61  
Череповец (8202)49-02-64  
Ярославль (4852)69-52-93

**Эл. почта: [awf@nt-rt.ru](mailto:awf@nt-rt.ru)**

**Сайт: <http://aflow.nt-rt.ru>**